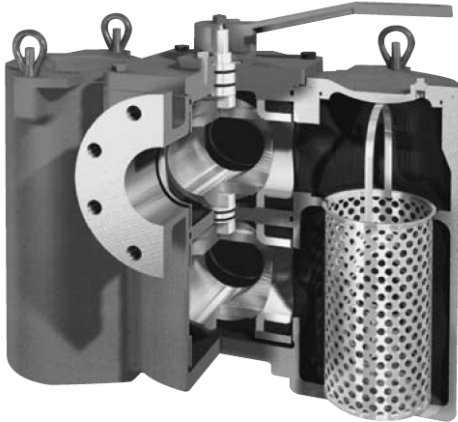


Tri Ball Duplex Strainer

Cast Iron, Cast Steel and Cast 316SS, Cast Bronze •
Threaded (T) & Flanged (F) • Sizes 3/4" to 4"

Type D125CIT & D125CIF Cast Iron; D150TCS & D150FCS Cast Steel; D150TSS & D150FSS Cast 316SS; D150TBZ & D150FBZ Cast Bronze



Tri Ball Duplex Strainers remove dirt and debris from pipelines and protects sensitive system components. The duplex features a design that makes strainer basket servicing a no-hassle operation. The duplex keeps the chamber from overflowing during service. This gives you time to clean or replace the strainer basket without ever having to worry about leakage and overflow. And ... without overflow, there's no need to clean up after servicing the strainer basket.

A unique flow diverter valve cartridge in the Tri Ball isolates the two strainer basket chambers and prevents fluid bypass. An easy-to-turn handle operates the cartridge and diverts the system flow from one chamber to the other — the flow in the pipeline is never shut off.

When a strainer basket needs to be cleaned, the lever handle is turned to take it out of service and to divert the flow through the other chamber. The position of the handle clearly indicates at all times which chamber is in service.

No special tools are needed to access the strainer basket for cleaning. The chamber is first drained and then the cover is lifted and swung clear of the chamber opening. The dynamic diverter cartridge seals prevent fluid bypass into the out-of-service chamber — making for easy, hassle-free strainer basket servicing.



Tri Ball Duplex Selection Table

| Body and Cartridge Material | Connections | Sizes | | Rating | Seat/Seals | Diverter Balls |
|--|--------------|----------------------------------|--------------------------------------|-------------------------------|--------------------|-------------------|
| | | Inches | Prefix | | | |
| Iron (CI) | Threaded (T) | 3/4, 1, 1 1/4 1 1/2, 2, 2 1/2 | 0075, 0100, 0125 0150, 0200, 0250 | 125# ANSI 200 PSIG @ 150°F | Teflon/ Buna N* | Stainless Steel** |
| | Flanged (F) | 1, 1 1/2, 2 2 1/2, 3, 4 | 0100, 0150, 0200 0250, 0300, 0400 | | | |
| Bronze (BZ) Carbon Steel (CS) Stainless Steel (SS) | Threaded (T) | 3/4, 1, 1 1/4 1 1/2, 2, 2 1/2 | 0075, 0100, 0125 0150, 0200, 0250 | 150# ANSI 200 PSIG @ 150°F | | |
| | Flanged (F) | 1, 1 1/2, 2 2 1/2, 3, 4 | 0100, 0150, 0200 0250, 0300, 0400 | | | |

*Viton® standard for stainless steel. • For Liquid Service •
5/32" SS perf basket standard for all sizes.

Ordering Information

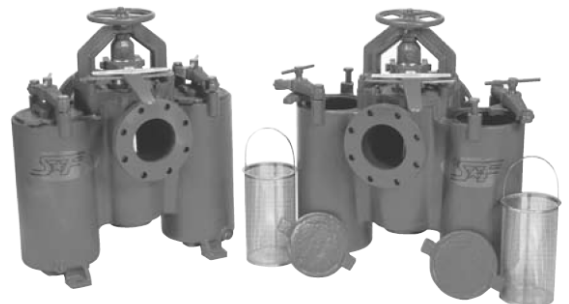
Example: Include full description

| | | |
|----------|-----------|---------|
| Size | Model | *Screen |
| (Prefix) | Number | Opening |
| 0400 | - D125CIF | - 156 |

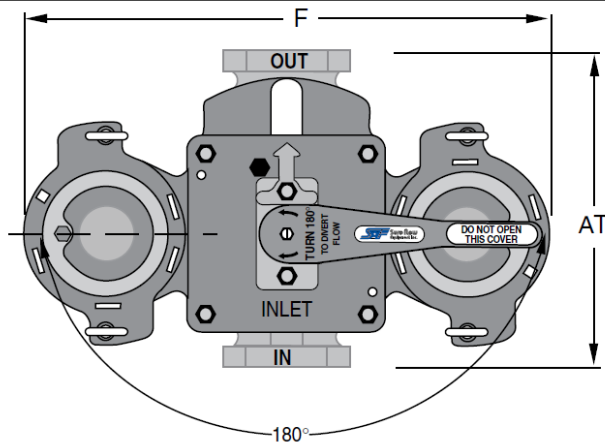
4" Flgd. duplex strainer, cast iron,
125# ANSI flanges, with 5/32" perf. basket

Notes:

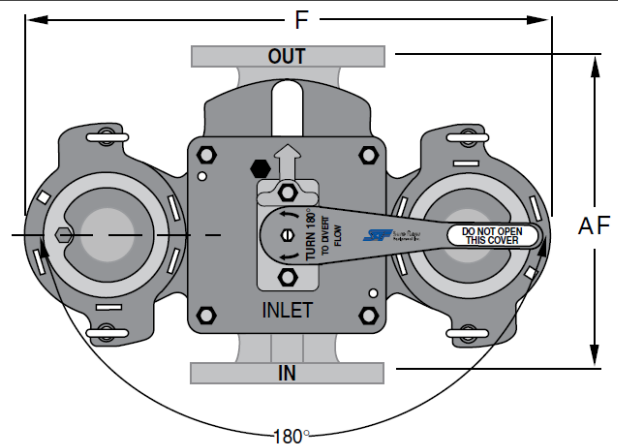
Manufacturer reserves the right to modify dimensions, materials, or design. Contact factory for certification.



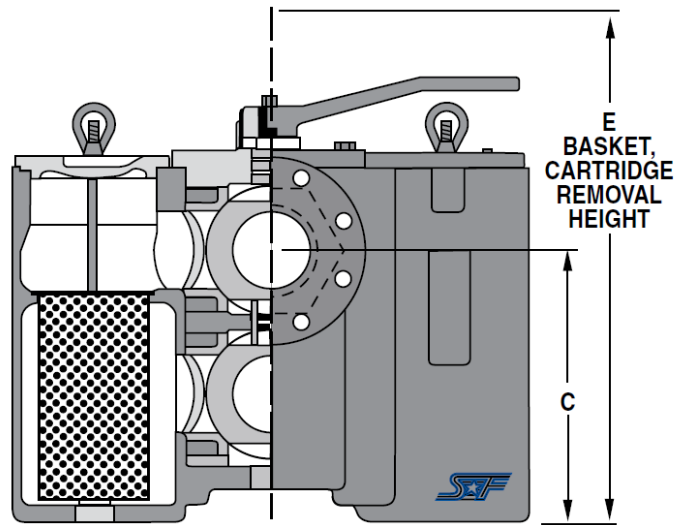
Tri Ball Duplex Strainer



Top View: **Threaded Model**



Top View: **Flanged Model**



Front View: **Flanged and Threaded Models**

Dimensions and weights are for reference only. Contact Sure Flow for certified drawings.

Dimensional Data

| Size | | AF | AT | C | E | F | Shipping Weight (lbs.) | | | | | |
|--------|--------|--------|-------|---------|--------|--------|------------------------|----------|---------|----------|-------------|----------|
| | | | | | | | Cast Iron | | Bronze | | Carbon & SS | |
| Inches | Prefix | | | | | | Flanged | Threaded | Flanged | Threaded | Flanged | Threaded |
| 3/4 | 0075 | – | 5 1/2 | 5 | 13 3/8 | 10 1/2 | – | 45 | – | 56 | – | 52 |
| 1 | 0100 | 6 7/8 | 5 1/2 | 5 | 13 3/8 | 10 1/2 | 52 | 45 | 65 | 56 | 65 | 52 |
| 1-1/4 | 0125 | 6 7/8 | 7 1/2 | 6 13/16 | 17 | 13 1/4 | – | 90 | – | 115 | – | 110 |
| 1-1/2 | 0150 | 9 3/8 | 7 1/2 | 6 13/16 | 17 | 13 1/4 | 109 | 90 | 130 | 115 | 120 | 110 |
| 2 | 0200 | 10 5/8 | 10 | 8 3/8 | 21 3/4 | 17 3/8 | 190 | 180 | 230 | 220 | 210 | 195 |
| 2-1/2 | 0250 | 10 3/4 | 10 | 8 3/8 | 21 3/4 | 17 3/8 | 210 | 180 | 260 | 220 | 235 | 195 |
| 3 | 0300 | 13 1/2 | – | 8 7/8 | 26 1/2 | 22 3/4 | 340 | – | 380 | – | 460 | – |
| 4 | 0400 | 16 | – | 13 1/4 | 33 | 24 3/4 | 430 | – | 535 | – | 460 | – |

1/4" NPT cover vent taps are standard on all strainers.

1/4" NPT basket well drain connectors are standard on all strainer sizes.