

**ASME Section VIII, Div 1,  
Current Edition:  
U and UM CODE STAMP  
Available**

# Cast Simplex Strainers

Cast Bronze, Cast Steel & Cast Stainless Steel, NPT Threaded

## SBT150B Bronze, SBT150SS Stainless Steel & SBT150 Cast Steel



### Features

Sure Flow Basket Strainers feature top removal of the screen. The screen is in the form of a basket, with a lifting handle, so that all particulate captured and retained by the screen can be easily removed for disposal. They are intended for applications where larger amounts of solid particulate are expected, and where clean-out will be frequent. Models are standard with "Quick Release Cover" to allow fast and easy screen removal without the use of tools. Basket and cover both have BUNA-N O-ring seals (Viton for stainless steel), eliminating the need to change gaskets each time the strainer is serviced.

### Construction

**Bronze** - Body & Cover, ASTM B62  
**Carbon Steel** - Body & Cover, ASTM A216, Grade WCB  
**Stainless Steel** - Body & Cover, ASTM A351, Grade CF8M

### Standard Screens

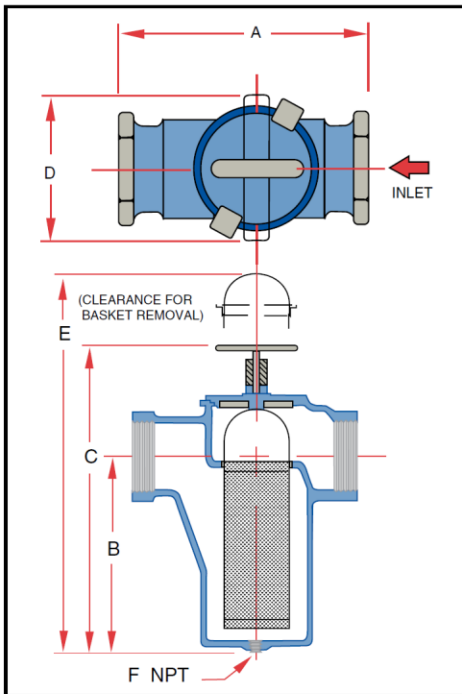
Size	Std.	Opening
3/8" - 3"	3/32" perf	0.094"

### Operating Pressures and Temperatures

Type	Size	PSI @ Temp Steam	PSI @ Temp WOG
SBT150B	3/8" - 3"	150 358°F	225 150°F
SBT150SS	3/8" - 3"	150 358°F	275 100°F
SBT150	3/8" - 3"	150 358°F	285 100°F

### Dimensional Data

Size		A	B	C	D	E	F	Shipping Weight (lbs)
Inches	Prefix							
3/8	0038	4	4	6 5/8	2 7/8	11	3/8	10
1/2	0050	4	4	6 5/8	2 7/8	11	3/8	10
3/4	0075	5 3/8	5	8 3/8	4	13	1/2	18
1	0100	5 3/8	5	8 3/8	4	13	1/2	18
1-1/4	0125	6 3/4	5 7/8	9 7/8	4 7/8	14	1/2	30
1-1/2	0150	7	6 1/2	10 5/8	6	14 7/8	3/4	30
2	0200	8 1/2	7 1/2	11 5/8	7 1/2	17 3/8	1 1/4	50
2-1/2	0250	11 1/2	9 1/8	15 1/4	8	22 3/8	1 1/4	62
3	0300	11 1/2	9 1/8	15 1/4	8	22 3/8	1 1/4	62



### Notes

Manufacturer reserves the right to modify dimensions, materials, or design. Contact factory for certification.

### Optional Features

- Baskets with any chosen perforations
- Baskets are available in other materials
- Gauge tappings if required
- Replaceable inserts available from 20 to 300 mesh.

\*Must specify if for steam service.

### Ordering Information

Example: Include full description

Size (Prefix)      Model Number      \*Screen Opening  
 0150 - SBT150SS - 016  
 1-1/2" NPT, Basket Strainer,  
 Cast Stainless Steel,  
 40 Mesh Screen

