

ALSO AVAILABLE:

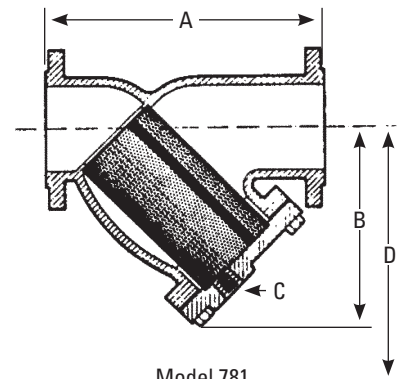
Body/Cap: Carbon-Moly ASTM A217 Gr. W1
 Chrome-Moly ASTM A217 Gr. WC6
 Chrome-Moly ASTM A217 Gr. WC9

Pressure Drop

See Pressure Drop Charts in Technical Data Section of the Mueller Steam Specialty Engineering binder.

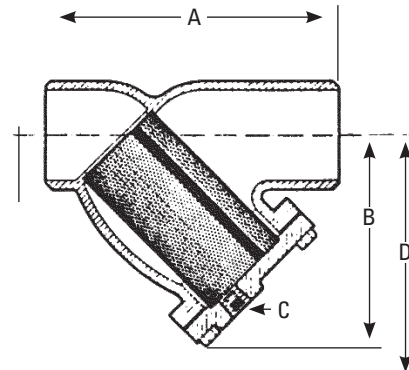
Dimensions and Weights

SIZE		DIMENSIONS								WEIGHT	
in.	mm	A		B		C (NPT)		D Screen Removal		lbs.	kgs.
		in.	mm	in.	mm	in.	mm	in.	mm		
1/2	15	5 7/8	149	3 1/2	89	3/8	10	5	130	5.5	2.5
3/4	20	7 3/8	187	3 3/4	95	1/2	15	5	130	10.25	4.6
1	25	7 3/8	187	3 3/4	95	1/2	15	5	130	10.25	4.6
1 1/4	32	7	178	4 3/4	121	1/2	15	7	178	9.75	4.4
1 1/2	40	7 1/8	181	4 3/4	121	1/2	15	7	178	12.5	5.6
2	50	7 7/8	200	5 1/4	133	1/2	15	7	178	18	8.1
2 1/2	65	9 3/4	248	6 1/2	165	1	25	9 3/4	248	28	12.7
3	80	10 1/16	256	7	178	1	25	10	254	34	15
4	100	12 1/8	308	8 1/4	210	1 1/2	40	12	305	55	25
5	125	15 5/8	397	11 1/4	286	2	50	20	508	90	40
6	150	18 1/2	470	13 1/2	343	2	50	20	508	153	69
8	200	21 3/8	543	15 1/2	394	2	50	22 3/4	578	220	100
10	250	26	660	18 1/2	470	2	50	28	711	320	145
12	300	29 7/8	759	22 1/4	565	2	50	30	762	550	250
14	350	36	914	25	635	2	50	36 1/2	927	975	442
16	400	41 9/16	1056	26 1/2	673	2	50	42	1067	1635	741
18	450	46	1168	34 7/8	886	2	50	50 7/8	1292	2376	1078
20	500	49 1/2	1257	39	991	2	50	55 3/8	1407	2675	1213
24	600	58 3/8	1483	44 1/6	1122	2	50	67 1/4	1708	4880	2213



Model 781

SIZE		DIMENSIONS								WEIGHT	
in.	mm	A		B		C (NPT)		D Screen Removal		lbs.	kgs.
		in.	mm	in.	mm	in.	mm	in.	mm		
1/2	15	6 5/8	168	3 1/2	89	3/8	10	5	130	3	1.3
3/4	20	8 5/16	211	3 3/4	95	1/2	15	5	130	9	4
1	25	8 5/16	211	3 3/4	95	1/2	15	5	130	9	4
1 1/4	32	10 1/8	260	5 1/4	133	1/2	15	7	178	12	5.4
1 1/2	40	10 1/4	279	5 1/4	133	1/2	15	7	178	13	5.9
2	50	8 3/8	219	5 1/4	133	1/2	15	7	178	10	4.5
2 1/2	65	10 3/8	269	6 1/2	165	1	25	9 3/4	248	14	6.3
3	80	12	305	7	178	1	25	10	254	20	9
4	100	14 1/2	368	8 1/4	210	1 1/2	40	12	305	40	18
5	125	19 5/16	491	13 1/2	343	2	50	20	508	90	40
6	150	19 5/16	491	13 1/2	343	2	50	20	508	90	40
8	200	23 3/8	594	15 3/4	400	2	50	22 3/4	578	168	76
10	250	27 3/8	695	19	483	2	50	28	711	250	113
12	300	32	813	22 1/2	565	2	50	30	762	440	200
14	350	36	914	25	635	2	50	36 1/2	927	815	370
16	400	41 1/8	1056	26 1/2	673	2	50	42	1067	1433	650
18	450	46	1168	34 7/8	886	2	50	50 7/8	1292	2152	976
20	500	49 1/2	1257	39	991	2	50	55 3/8	1407	2393	1085
24	600	58 3/8	1483	44 1/6	1122	2	50	67 1/4	1708	4486	2034



Model 781-WE

Apply for certified drawing

Mueller Steam Specialty product specifications in U.S. customary units and metric are approximate and are provided for reference only. For precise measurements, please contact Mueller Steam Specialty Technical Service. Mueller Steam Specialty reserves the right to change or modify product design, construction, specifications, or materials without prior notice and without incurring any obligation to make such changes and modifications on Mueller Steam Specialty products previously or subsequently sold.



A Watts Water Technologies Company

ES-MS-781_781WE 1020

