

Material

| | 792FB, 794FB |
|---------|----------------------------|
| Body | Bronze ASTM B62 (85-5-5-5) |
| Cover | Bronze ASTM B62 (85-5-5-5) |
| Seats | PTFE |
| O-Rings | Buna-N |

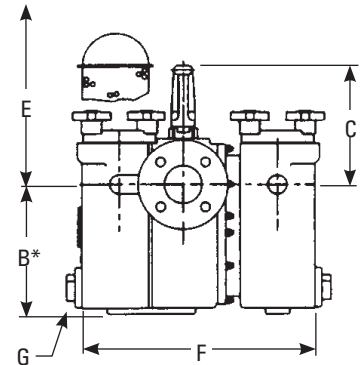
Dimensions and Weights

| SIZE | | DIMENSIONS | | | | | | | | WEIGHT | | | | | | | |
|-------------------------------|-----|--------------------------------|-----|----------------------------------|-----|--------------------------------|-----|-----|-----|----------------------------------|-----|---------------------------------|-----|-------------------------------|----|-----|-------|
| | A | B | C | D | | E | F | G | | | | | | | | | |
| in. | mm | in. | mm | in. | mm | in. | mm | in. | mm | in. | mm | lbs. | kg. | | | | |
| 792FB | | | | | | | | | | | | | | | | | |
| 1 | 25 | 6 ⁷ / ₈ | 175 | 4 ¹⁵ / ₁₆ | 125 | 4 ⁵ / ₈ | 118 | 10 | 254 | 7 ³ / ₄ | 197 | 10 ⁹ / ₁₆ | 259 | 3/4 | 20 | 35 | 15.8 |
| 1 ¹ / ₄ | 32 | 9 ³ / ₈ | 238 | 6 ³ / ₄ | 171 | 4 ³ / ₈ | 111 | 10 | 254 | 10 ³ / ₈ | 264 | 12 ³ / ₄ | 324 | 1 ¹ / ₄ | 32 | 65 | 29.4 |
| 1 ¹ / ₂ | 40 | 9 ³ / ₈ | 238 | 6 ³ / ₄ | 171 | 4 ³ / ₈ | 111 | 10 | 254 | 10 ³ / ₈ | 264 | 12 ³ / ₄ | 324 | 1 ¹ / ₄ | 32 | 65 | 29.4 |
| 2 | 50 | 10 ⁵ / ₈ | 270 | 8 ³ / ₁₆ | 208 | 7 ¹ / ₈ | 181 | 20 | 508 | 12 ⁵ / ₈ | 321 | 16 ³ / ₈ | 416 | 1 ¹ / ₂ | 40 | 118 | 53.5 |
| 2 ¹ / ₂ | 65 | 13 ¹ / ₂ | 343 | 12 | 305 | 8 ³ / ₁₆ | 205 | 20 | 508 | 17 ²¹ / ₃₂ | 448 | 20 ³ / ₈ | 518 | 1 ¹ / ₂ | 40 | 249 | 112.9 |
| 3 | 80 | 13 ¹ / ₂ | 343 | 12 | 305 | 8 ³ / ₁₆ | 205 | 20 | 508 | 17 ²¹ / ₃₂ | 448 | 20 ³ / ₈ | 518 | 1 ¹ / ₂ | 40 | 249 | 112.9 |
| 4†† | 100 | 16 | 406 | 16 ¹³ / ₁₆ | 427 | 15 ¹ / ₂ | 394 | 14+ | 356 | 23 ¹ / ₂ | 597 | 24 ¹ / ₂ | 622 | 1 ¹ / ₂ | 40 | 435 | 197.2 |
| 5†† | 125 | 22 | 559 | 18 ⁵ / ₈ | 473 | 17 ¹ / ₄ | 438 | 14+ | 356 | 25 ¹¹ / ₁₆ | 653 | 26 ¹ / ₄ | 667 | 1 ¹ / ₂ | 40 | 746 | 338.3 |
| 6†† | 150 | 22 | 559 | 18 ⁵ / ₈ | 473 | 17 ¹ / ₄ | 438 | 14+ | 356 | 25 ¹¹ / ₁₆ | 653 | 26 ¹ / ₄ | 667 | 1 ¹ / ₂ | 40 | 746 | 338.3 |
| 794FB | | | | | | | | | | | | | | | | | |
| 1 | 25 | 7 ¹ / ₈ | 181 | 4 ¹⁵ / ₁₆ | 125 | 4 ⁵ / ₈ | 118 | 10 | 254 | 7 ³ / ₄ | 197 | 10 ⁹ / ₁₆ | 259 | 3/4 | 20 | 40 | 18.1 |
| 1 ¹ / ₄ | 32 | 9 ³ / ₈ | 238 | 6 ³ / ₄ | 171 | 4 ³ / ₈ | 111 | 10 | 254 | 10 ³ / ₈ | 264 | 12 ³ / ₄ | 324 | 1 ¹ / ₄ | 32 | 70 | 31.7 |
| 1 ¹ / ₂ | 40 | 9 ³ / ₈ | 238 | 6 ³ / ₄ | 171 | 4 ³ / ₈ | 111 | 10 | 254 | 10 ³ / ₈ | 264 | 12 ³ / ₄ | 324 | 1 ¹ / ₄ | 32 | 70 | 31.7 |
| 2 | 50 | 10 ⁵ / ₈ | 270 | 8 ³ / ₁₆ | 208 | 7 ¹ / ₈ | 181 | 20 | 508 | 12 ⁵ / ₈ | 321 | 16 ³ / ₈ | 416 | 1 ¹ / ₂ | 40 | 120 | 54.4 |
| 2 ¹ / ₂ | 65 | 14 ¹ / ₄ | 362 | 12 | 305 | 8 ³ / ₁₆ | 205 | 20 | 508 | 17 ²¹ / ₃₂ | 448 | 20 ³ / ₈ | 518 | 1 ¹ / ₂ | 40 | 260 | 117.9 |
| 3 | 80 | 14 ¹ / ₄ | 362 | 12 | 305 | 8 ³ / ₁₆ | 205 | 20 | 508 | 17 ²¹ / ₃₂ | 448 | 20 ³ / ₈ | 518 | 1 ¹ / ₂ | 40 | 260 | 117.9 |
| 4†† | 100 | 16 ¹ / ₂ | 419 | 16 ¹³ / ₁₆ | 427 | 15 ¹ / ₂ | 394 | 14+ | 356 | 23 ¹ / ₂ | 597 | 24 ¹ / ₂ | 622 | 1 ¹ / ₂ | 40 | 450 | 204.0 |
| 5†† | 125 | 22 ⁷ / ₈ | 581 | 18 ⁵ / ₈ | 473 | 17 ¹ / ₄ | 438 | 14+ | 356 | 25 ¹¹ / ₁₆ | 653 | 26 ¹ / ₄ | 667 | 1 ¹ / ₂ | 40 | — | — |
| 6†† | 150 | 22 ⁷ / ₈ | 581 | 18 ⁵ / ₈ | 473 | 17 ¹ / ₄ | 438 | 14+ | 356 | 25 ¹¹ / ₁₆ | 653 | 26 ¹ / ₄ | 667 | 1 ¹ / ₂ | 40 | — | — |

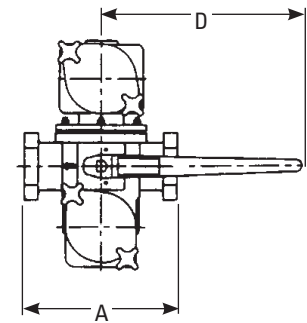
Apply For Certified Drawings.

+ 4", 5" and 6" units are standard with a gear operator. The handwheel dimension is 10".

†† 4", 5" and 6" units are standard with floor supports. Dimension "B" reflects this standard in those sizes.



* "B" dimension includes the floor supports when applicable



Models 792FB, 794FB

Mueller Steam Specialty product specifications in U.S. customary units and metric are approximate and are provided for reference only. For precise measurements, please contact Mueller Steam Specialty Technical Service. Mueller Steam Specialty reserves the right to change or modify product design, construction, specifications, or materials without prior notice and without incurring any obligation to make such changes and modifications on Mueller Steam Specialty products previously or subsequently sold.



A Watts Water Technologies Company

ES-MS-792FB_794FB 1020



ISO 9001-2008
CERTIFIED