

Model: 791FA

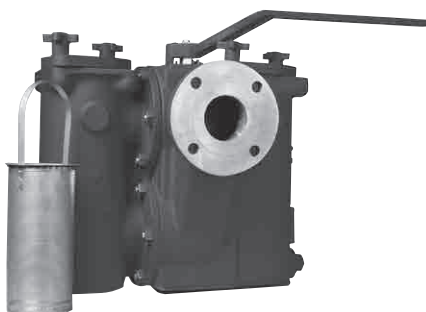
Ball-Plex™ Cast Iron Flanged End Duplex Strainers Sizes: 3/4" - 6" (20 - 150mm)

Pressure/Temperature-Non-Shock		
Model	Material	Rating
791FA	Cast Iron	200psi @ -20°F to 150°F 13.79 bar @ 65.56°C 175psi @ 250°F 12.07 bar @ 121.11°C

*Max. temp. can be limited by gasket and seat material. Consult factory.

791FA

Class 125



Model 791FA

Strainers provide economical protection for costly pumps, meters, valves, and other similar mechanical equipment by straining foreign matter from the connected piping system. Installation of a strainer before mechanical equipment can ensure trouble free service and avoid costly shutdowns for repair or replacement of equipment damaged by foreign matter. The size of the perforation or mesh in the basket screen will determine the smallest particles captured. See Strainer Information section of the Mueller Steam Specialty Engineering binder for detailed information including sizes and materials available.

Typical Service

- Duplex Strainers are designed for use in fluid handling systems where the flow cannot be shut down for basket cleaning.
- Typical services include cooling water, compressors, condensers, fire lines, fuel lines, lubrication systems, salt and fresh water systems, chemical process systems, pump suction service, and more.
- Consider strainer body and screen material as well as gasket and seat materials for suitability for particular service.

Features

- Ball-Plex™ Duplex Strainers use 3-way balls as the diverter valves
- Balls are 316SS for corrosion resistance, strength, and resistance to build-up of solids on the balls' surfaces.
- PTFE seats provide bubble-tight sealing, superior to metal seats in other designs. This eliminates potentially dangerous leakage into the chamber being cleaned.
- Two part body casting allows true and easy in-line service
- After removal of the cover and basket, all working parts are easily accessible even with the unit in line.
- The handle covers the pressurized chamber. This prevents accidental opening of the pressurized chamber, and allows easy access to the chamber to be cleaned.

Baskets

- Large open area ratios ensure minimum pressure drop across the unit.
- See Technical Data section of the Mueller Steam Specialty Engineering binder for pressure drop charts.

MODEL	SIZES	STANDARD (WATER)	
		MATERIAL	OPENING
791FA	3/4" - 4"	304SS	.062 perf
	5" - 6"	304SS	.125 perf

Job Name _____

Contractor _____

Job Location _____

Approval _____

Engineer _____

Contractor's P.O. No. _____

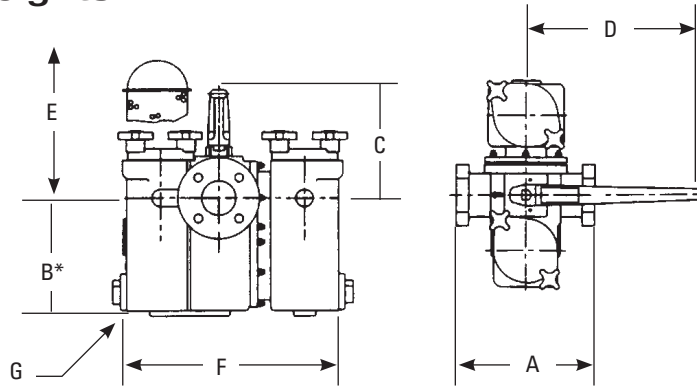
Approval _____

Representative _____

Material

791FA	
Body	Cast Iron ASTM A126-B
Cover	Cast Iron ASTM A126-B
Seats	PTFE
O-Rings	Buna-N

Dimensions and Weights



Model 791FA

* "B" dimension includes the floor supports when applicable.

SIZE		DIMENSIONS										WEIGHT					
		A		B		C		D		E Screen Removal		F		G (NPT)			
in.	mm	in.	mm	in.	mm	in.	mm	in.	mm	in.	mm	in.	mm	in.	mm	lbs.	kgs.
3/4	19	6 7/8	175	4 15/16	125	4 5/8	118	10	254	7 3/4	197	10 3/16	259	3/4	20	34	15.4
1	25	6 7/8	175	4 15/16	125	4 5/8	118	10	254	7 3/4	197	10 3/16	259	3/4	20	34	15.4
1 1/4	32	9 3/8	238	6 3/4	171	4 3/8	111	10	254	10 5/8	264	12 3/4	324	1 1/4	32	65	29.4
1 1/2	40	9 3/8	238	6 3/4	171	4 3/8	111	10	254	10 5/8	264	12 3/4	324	1 1/4	32	65	29.4
2	50	10 5/8	270	8 3/16	208	7 1/8	181	20	508	12 5/8	321	16 3/8	416	1 1/2	40	113	51.2
2 1/2	65	13 1/2	343	12	305	8 1/16	205	20	508	17 21/32	448	20 3/8	518	1 1/2	40	218	98.8
3	80	13 1/2	343	12	305	8 1/16	205	20	508	17 21/32	448	20 3/8	518	1 1/2	40	218	98.8
4††	100	16	406	16 13/16	427	15 1/2	394	14+	356	23 1/2	597	24 1/2	622	1 1/2	40	432	195.9
5††	125	22	559	18 5/8	473	17 1/4	438	14+	356	25 1/16	653	26 1/4	667	1 1/2	40	786	356.4
6††	150	22	559	18 5/8	473	17 1/4	438	14+	356	25 1/16	653	26 1/4	667	1 1/2	40	786	356.4

+ 4", 5" and 6" units are standard with a gear operator. The handwheel dimension is 10".

†† 4", 5" and 6" units are standard with floor supports. Dimension "B" reflects this standard in those sizes.

Mueller Steam Specialty product specifications in U.S. customary units and metric are approximate and are provided for reference only. For precise measurements, please contact Mueller Steam Specialty Technical Service. Mueller Steam Specialty reserves the right to change or modify product design, construction, specifications, or materials without prior notice and without incurring any obligation to make such changes and modifications on Mueller Steam Specialty products previously or subsequently sold.



A Watts Water Technologies Company

ES-MS-791FA 1020



ISO 9001-2008
CERTIFIED