

Models: 581, 582

Cast Carbon Steel Screwed and Socket Weld End Y Strainers

Sizes: 1/4" - 2" (6 - 50mm)

Pressure/Temperature - Non-Shock

Model	Material	Rating
581, 582	Carbon Steel	1480psi @ -20°F to 100°F
		102.04 bar @ 37.8°C
		1015psi @ 750°F
		69.98 bar @ 389.89°C

581 screwed **Class 600**
582 socket weld **Class 600**



Model 581

Typical Service

- Used extensively to strain foreign matter from pipelines and provide economical protection for costly pumps, meters, valves, and other similar mechanical equipment.
- These are especially critical where weld debris is often present in the pipeline.
- Well suited for long service in high pressure and temperature applications.

Features

- Machined seats in both body and cap align and lock the screen in place to stop sediment bypass.
- Machined seats facilitate alignment and accurate reseating after servicing.

Construction

- Straight threaded, gasketed cap is used for easy disassembly and assembly. Many others use Loctite, rendering disassembly virtually impossible.
- Heavy duty, rugged bodies with extra heavy bore.

Self-Cleaning

- Self-cleaning is accomplished by opening the plug or valve connected to the blowoff outlet

Blowoff Outlets

- Outlets are NPT tapped
- Sizes of tapping specified on next page
- Not normally furnished with plug. Plug available, specify with order.
- Blind caps are also available, specify with order.

Capacity

- Generously proportioned bodies
- Open Area Ratio much greater than pipe size, ensuring low pressure drop

Job Name _____

Contractor _____

Job Location _____

Approval _____

Engineer _____

Contractor's P.O. No. _____

Approval _____

Representative _____

Screens

MODEL	SIZES	STANDARD (WATER)		STEAM RECOMMENDATION	
		MATERIAL	OPENING	MATERIAL	OPENING
581, 582	¼" – 2"	304SS	.062 perf	304SS	.033 perf

Materials

	581	582
Body	Carbon Steel ASTM A216 Gr. WCB	Carbon Steel ASTM A216 Gr. WCB
Screen	304 Stainless Steel ASTM A240	304 Stainless Steel ASTM A240
Gasket	Spiral Wound Graphite Filled	Spiral Wound Graphite Filled

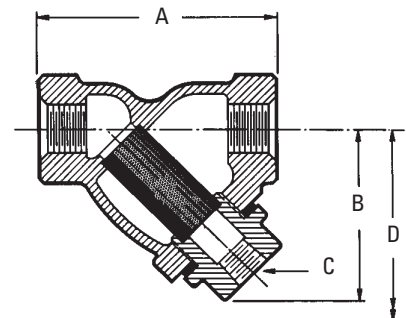
Pressure Drop

- See Pressure Drop Charts in Technical Data Section of the Mueller Steam Specialty Engineering binder.

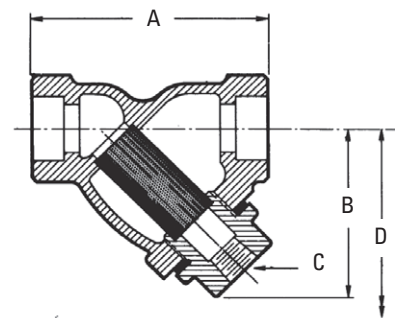
Dimensions and Weights

SIZE		DIMENSIONS								WEIGHT	
		A		B		C (NPT)		D Screen Removal		lbs.	kgs.
in.	mm	in.	mm	in.	mm	in.	mm	in.	mm		
¼	6	2 ¹⁵ / ₁₆	76	2 ³ / ₈	60	¼	6	2½	64	2	.91
⅜	10	2 ¹⁵ / ₁₆	76	2 ³ / ₈	60	¼	6	2½	64	2	.91
½	15	2 ¹⁵ / ₁₆	76	2 ³ / ₈	60	¼	6	2½	64	2	.91
¾	20	3 ¹¹ / ₁₆	95	2 ¹³ / ₁₆	72	⅜	10	3 ³ / ₈	86	3	1.36
1	25	4 ⁹ / ₁₆	117	3 ¹ / ₈	130	⅜	10	4 ³ / ₄	121	5	2.27
1¼	32	4 ¹⁵ / ₁₆	127	4	102	¾	20	5¼	133	6.8	3.08
1½	40	5 ⁹ / ₁₆	143	4¾	121	¾	20	6	152	9.8	4.45
2	50	6 ¹⁵ / ₁₆	178	6	152	1	25	7 ⁷ / ₈	194	15	6.8

Apply For Certified Drawings.



Model 581



Model 582

Mueller Steam Specialty product specifications in U.S. customary units and metric are approximate and are provided for reference only. For precise measurements, please contact Mueller Steam Specialty Technical Service. Mueller Steam Specialty reserves the right to change or modify product design, construction, specifications, or materials without prior notice and without incurring any obligation to make such changes and modifications on Mueller Steam Specialty products previously or subsequently sold.



A Watts Water Technologies Company

ES-MS-581_582 1020

