

Models: 185-SS, 186-SS

Cast Stainless Steel Flanged End Basket Strainers Sizes: 1½" - 20" (40 - 500mm)

Pressure / Temperature – Non-Shock		
Model	Material	Rating
185-SS	Stainless Steel	275psi @ -20°F to 100°F
		18.96 bar @ 37.78°C
		150psi @ 565°F
186-SS	Stainless Steel	10.34 bar @ 296.11°C
		720psi @ -20°F to 100°F
		49.64 bar @ 37.78°C
		395psi @ 850°F
		27.23 bar @ 454.44°C

Max. temp. can be limited by gasket material. Consult factory.

185-SS **Class 150**
186-SS **Class 300**



Models 185-SS, 186-SS

Strainers provide economical protection for costly pumps, meters, valves, and other similar mechanical equipment by straining foreign matter from the connected piping system. Installation of a strainer before mechanical equipment can ensure trouble free service and avoid costly shutdowns for repair or replacement of equipment damaged by foreign matter. The size of the perforation or mesh in the basket screen will determine the smallest particles captured. See Strainer Information section of Mueller Steam Specialty Engineering binder for detailed information including sizes and materials available.

Typical Service

- These rugged strainers can be specified for many applications in chemical processes, including brine, paint, fuel oil, organic and inorganic chemicals, as well as condensers and heat exchangers, to name just a few.
- They are especially suited for medium or coarse straining. For finer straining, see Model 125F-SS or 126F-SS.

Features

- The angular cutaway design of the baskets allows a straight through flow, resulting in extremely low pressure drop.
- Tapped and plugged NPT drain on the strainer bottom enables easy self-cleaning on open bottom baskets. Simply open the valve or plug on the outlet to flush accumulated particles.
- Bodies can be tapped for pressure gauges, or per customer requirement, consult factory.

Construction

- Cover is a flanged bolted design for easy basket removal.

Capacity

- Large bodies and generous sized baskets
- Minimum 6 to 1 ratio.

Special Coatings and Treatments

- Pickling and passivation are available, consult factory.

Steam Jacketing

Available on request, consult factory.

Baskets

MODEL	SIZES	STANDARD (WATER)		STEAM RECOMENDATION	
		MATERIAL	OPENING	MATERIAL	OPENING
185-SS/186-SS	1½" - 4"	304SS	.062 perf	304SS	.045 perf
185-SS/186-SS	5" and Up	304SS	.125 perf	Consult Factory	

Job Name _____
 Job Location _____
 Engineer _____
 Approval _____

Contractor _____
 Approval _____
 Contractor's P.O. No. _____
 Representative _____

Materials

	185-SS	186-SS
Body	Stainless Steel ASTM A351 Grade CF8M	Stainless Steel ASTM A351 Grade CF8M
Cover	A240 316SS Plate	A240 316SS Plate
Gasket	316 Filled Graphite	316 Filled Graphite

Pressure Drop

See Pressure Drop Charts in the Technical Data section of the Mueller Steam Specialty Engineering binder.

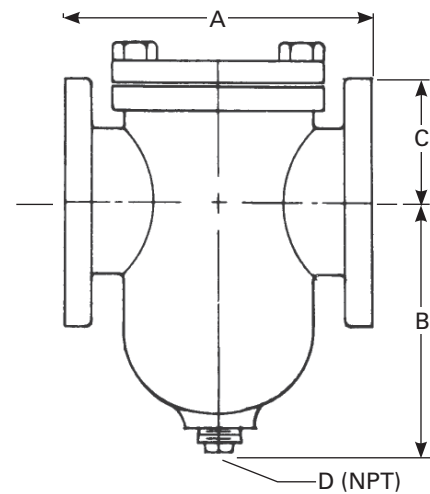
Dimensions and Weights

SIZE		DIMENSIONS				WEIGHT			
		A	B	C	D (NPT)				
in.	mm	in.	mm	in.	mm	in.	mm	lbs.	kgs.
185SS									
1½	40	6½	165	4⅞	105	4	102	23	10.4
2	50	8½	216	5⅞	149	4¾	121	34	15.4
2½	65	8	203	5⅞	138	4¼	108	34	15.4
3	80	8¾	222	5¼	133	5½	140	46	20
4	100	11⅜	284	7⅞	200	6	152	70	31
5	125	12¼	311	10¼	260	5⅞	143	108	49
6	150	13⅞	352	12½	318	5⅞	148	168	76
8	200	17⅞	441	15⅞	384	8	203	234	106
10	250	22	549	16	406	10⅞	264	402	182
12	300	25	635	23¾	603	12⅞	314	692	314
14	350	47⅞	1197	34⅞	873	20⅞	513	CF	CF
16	400	47⅞	1197	34⅞	873	20⅞	513	CF	CF
18	450	34	864	36	914	16¼	413	CF	CF
20	500	36¾	934	40⅞	1038	17	432	CF	CF
186SS									
1½	40	7	178	4⅞	105	4	102	23.3	11.6
2	50	8½	216	5⅞	149	4¾	121	34.3	15.5
2½	65	8⅜	221	5⅞	138	4¼	108	39.8	17
3	80	9⅞	243	5¼	133	5½	140	54	24
4	100	11¼	298	7⅞	200	6	152	86	39
5	125	13⅞	333	10¼	260	5⅞	143	121	55
6	150	14¾	375	12½	318	5⅞	148	196	89
8	200	18⅞	460	15⅞	384	8	203	292	132
10	250	22⅞	581	16	406	10⅞	264	460	209
12	300	25⅞	645	23¾	603	12⅞	314	790	359
14	350	47⅞	1197	34⅞	873	20⅞	513	CF	CF
16	400	47⅞	1197	34⅞	873	20⅞	513	CF	CF
18	450	35⅞	905	36	914	16¼	413	CF	CF
20	500	38⅞	975	40⅞	1038	17	432	CF	CF

Apply For Certified Drawings.

Larger sizes available.

CF=Consult Factory



Models 185-SS, 186-SS

Mueller Steam Specialty product specifications in U.S. customary units and metric are approximate and are provided for reference only. For precise measurements, please contact Mueller Steam Specialty Technical Service. Mueller Steam Specialty reserves the right to change or modify product design, construction, specifications, or materials without prior notice and without incurring any obligation to make such changes and modifications on Mueller Steam Specialty products previously or subsequently sold.



A Watts Water Technologies Company

ES-MS-185SS_186SS 1020

