

Models: 125-CS, 125-SS

Cast Carbon or Stainless Steel Screwed Ends Simplex Basket Strainers Sizes: 3/8" - 3" (10 - 80mm)

Pressure / Temperature - Non-Shock		
Model	Material	Rating-Bolted Cover
125-CS	Carbon Steel	285psi @ -20°F to 100°F
		19.65 bar @ 37.78°C
		150psi @ 565°F
125-SS	Stainless Steel	275psi @ -20°F to 100°F
		18.96 bar @ 37.78°C
		150psi @ 565°F
		10.34 bar @ 296.11°C

Max. temp. can be limited by O-ring material. Consult factory. All units with knob type closure are rated 200psi.

125-CS Carbon Steel Class 150

125-SS Stainless Steel Class 150



Model 125-CS

Strainers provide economical protection for costly pumps, meters, valves, and other similar mechanical equipment by straining foreign matter from the connected piping system. Installation of a strainer before mechanical equipment can ensure trouble free service and avoid costly shutdowns for repair or replacement of equipment damaged by foreign matter. The size of the perforation or mesh in the basket screen will determine the smallest particles captured. See Strainer Information section in the Mueller Steam Specialty Engineering binder for detailed information including sizes and materials available.

Typical Service

- These strainers can be specified for many applications in chemical processes, including brine, paint, fuel oil, organic and inorganic chemicals, as well as condensers and heat exchangers, and more.

Features

- Designed for large capacity straining and ease of maintenance.
- Cover is secured with quick-opening knobs to minimize service time.
- O-ring seals on both the cover and baskets can usually be re-used after service, no need to clean gasket residue and replace costly gaskets.
- Machined basket seat eliminates particle bypass.

Construction

- Standard cover has O-ring seal and quick release knob fasteners — 200psi rating
- Bolted cover available, consult factory — 275/285psi rating
- Swing clamp covers are available, consult factory
- Plugged NPT connection is provided at location D. See next page.

Capacity

- Minimum 6 to 1 ratio

Special Coatings and Treatments

- Epoxy and other corrosion resistant coatings are available on Carbon Steel, consult factory
- Pickling and passivation are available on Stainless Steel, consult factory.

Steam Jacketing

- Available on request, consult factory.

Job Name _____

Contractor _____

Job Location _____

Approval _____

Engineer _____

Contractor's P.O. No. _____

Approval _____

Representative _____

Baskets

MODEL	SIZES	STANDARD (WATER)		STEAM RECOMENDATION	
		MATERIAL	OPENING	MATERIAL	OPENING
125-CS	3/8" - 3"	304SS	.062 perf	304SS	.045 perf
125-SS	3/8" - 3"	304SS	.062 perf	304SS	.045 perf

Materials

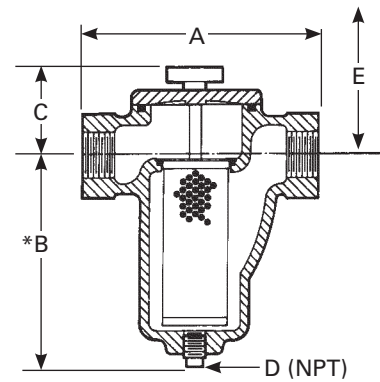
	125-CS	125-SS
Body	Carbon Steel ASTM A216 Grade WCB	Stainless Steel ASTM A351 Grade CF8M
Cover	Carbon Steel ASTM A216 Grade WCB	Stainless Steel ASTM A351 Grade CF8M
O-Ring	Buna-N	Viton®

Pressure Drop

See Pressure Drop Charts in Technical Data section of Mueller Steam Specialty Engineering binder.

Dimensions and Weights

SIZE		DIMENSIONS						WEIGHT					
		A		B		C		D (NPT)		E Screen Removal		Carbon Steel & SS	
in.	mm	in.	mm	in.	mm	in.	mm	in.	mm	in.	mm	lbs.	kgs.
3/8	10	4 9/16	116	4	102	2 1/2	64	3/8	10	4 13/16	106	4.8	2.1
1/2	15	4 9/16	116	4	102	2 1/2	64	3/8	10	4 13/16	106	4.8	2.1
3/4	20	4 9/16	116	4	102	2 1/2	64	3/8	10	4 13/16	106	5	2.2
1	25	5 5/16	135	4 11/16	119	2 3/4	70	3/8	10	5 7/8	149	6.5	2.9
1 1/4	32	6 5/16	160	6 1/2	165	3	76	1/2	13	8 7/8	206	11.5	5.2
1 1/2	40	6 5/16	160	6 1/2	165	3	76	1/2	13	8 7/8	206	11.5	5.2
2	50	8 1/4	210	7 7/8	200	3 5/8	92	3/4	20	10 1/8	257	22.8	10
2 1/2	65	9 5/8	244	8 3/4	222	4	102	1	25	11 7/16	296	33.8	15
3	80	11 1/4	286	11 3/8	289	4 1/2	114	1	25	14 3/16	376	51	23



Model 125

*"B" dimension includes the floor supports on 4" size and larger.

Mueller Steam Specialty product specifications in U.S. customary units and metric are approximate and are provided for reference only. For precise measurements, please contact Mueller Steam Specialty Technical Service. Mueller Steam Specialty reserves the right to change or modify product design, construction, specifications, or materials without prior notice and without incurring any obligation to make such changes and modifications on Mueller Steam Specialty products previously or subsequently sold.



A Watts Water Technologies Company

ES-MS-125CS_125SS 1038

