

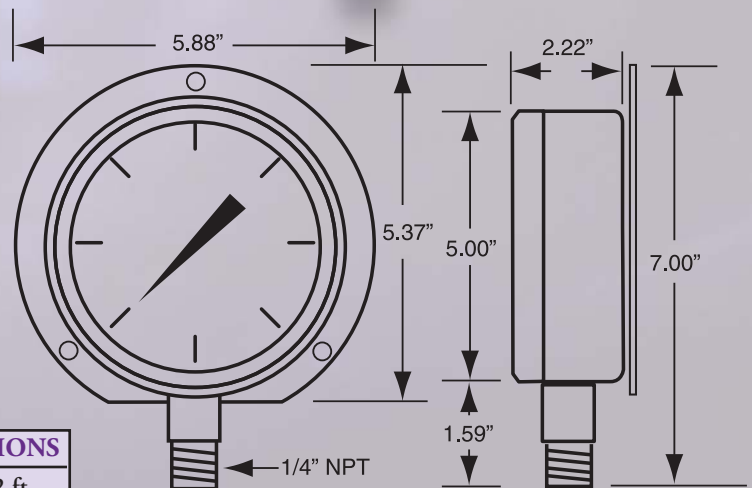
4 1/2" ALTITUDE GAUGE BRASS BOURDON TUBE AND SOCKET MODEL HA14-4ALT

STANDARD FEATURES

- 4 1/2" dial size
- Dial reads in PSI and feet of water
- Red set hand
- Brass bourdon tube and socket
- Heavy duty stainless steel movement with underload and overload stops
- Solid front aluminum back flanged safety case
- 1/2% full scale accuracy per ASME B40.1 Grade 2A
- Balanced micrometer adjustable pointer
- 1/4" NPT bottom connection
- Plastic lens



MODEL HA14-4 ALT ▶



PRESSURE/ALTITUDE RANGES

RANGE	CODE	FIGURES	GRADUATIONS
0/15 PSI & 0/35 ft	AA	2 PSI / 5 ft	.1 PSI / .2 ft
0/30 PSI & 0/70 ft	AB	5 PSI / 10 ft	.2 PSI / .5 ft
0/60 PSI & 0/140 ft	AC	10 PSI / 20 ft	.4 PSI / 1 ft
0/100 PSI & 0/230 ft	AD	10 PSI / 50 ft	1 PSI / 2 ft
0/160 PSI & 0/370 ft	AE	20 PSI / 50 ft	1 PSI / 2 ft
0/200 PSI & 0/460 ft	AF	20 PSI / 50 ft	2 PSI / 5 ft

HOW TO ORDER - PLEASE SPECIFY THE FOLLOWING:

MODEL #	RANGE	CONNECTION SIZE	CONNECTION LOCATION
HA14-4ALT	2 digit code from table	4 = 1/4" NPT	L = Lower