

Silent Check Valves

Cast Steel & Cast Stainless Steel Wafer

Type CW150C - Cast Steel & CW150SS Cast Stainless Steel



Sure Flow Wafer Check Valves are designed to close before the pump stops completely. This prevents flow reversal which eliminates water hammer and system surges associated with valve closure.

- Quiet Operation
- Guided Discs
- Vertical or Horizontal Installation
- Sizes 2" thru 24"

Service Applications

- Municipal Water Systems
- Industrial Class HVAC - Liquid Service
- Industrial Piping Systems
- Irrigation Systems

Operating Pressures and Temperatures

Material	Service	Size	psl	Temp.
Cast Steel	Liquid	2" - 10"	285	100°F
Stainless Steel	Liquid	2" - 10"	275	100°F

Construction - Cast Steel

No	Name	Material
1	Cast Body	A216 Gr. WCB
2	Plug	A351 Gr. CF8M
3	Spring	Stainless Steel
4	Seat	A351 Gr. CF8M
5	Bushing	Stainless Steel
6	Screw	Stainless Steel

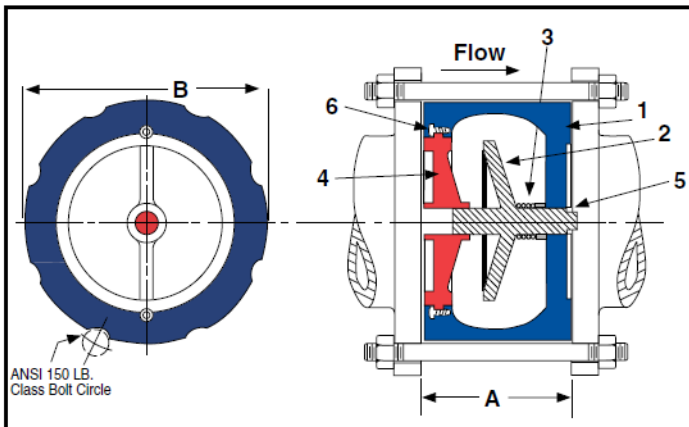
Construction - Cast Stainless Steel

All ASTM Spec A351 Grade CF8M Stainless Steel.

Dimensional Data

Size	Model	A	B	CV	Shipping Weight (lbs)
2	0200CW150	2 5/8	4 1/4	50	7
2 1/2	0250CW150	2 7/8	5	72	9
3	0300CW150	3 1/8	5 3/4	92	15
4	0400CW150	4	7	180	25
5	0500CW150	4 5/8	8 3/8	276	32
6	0600CW150	5 1/2	9 3/4	408	56
8	0800CW150	6 1/2	13 1/2	720	100
10	1000CW150	8 1/4	16	1000	140

* Also Available in size 12", 14", 16", 18", 20" and 24".



Ordering Information

Example: Include full description

Model # Type & Material

0400 - CW150SS150

4", Raised Face Wafer Silent Check Valve,
All 316SS Construction

Consult factory for optional construction materials and installation instructions. Resilient seating of BUNA-N or VITON available for 4" size and larger.

We recommend that the valves be installed 7 to 10 pipe lengths away from the turbulence.

Notes

Manufacturer reserves the right to modify dimensions, materials, or design. Contact factory for certification.

The Flow Coefficient (Cv) is the number of gallons per minute of water flowing through a given size restriction at a pressure drop of one psi. To obtain the Cv factor for a given size check valve refer to table above.

