

Silent Check Valves

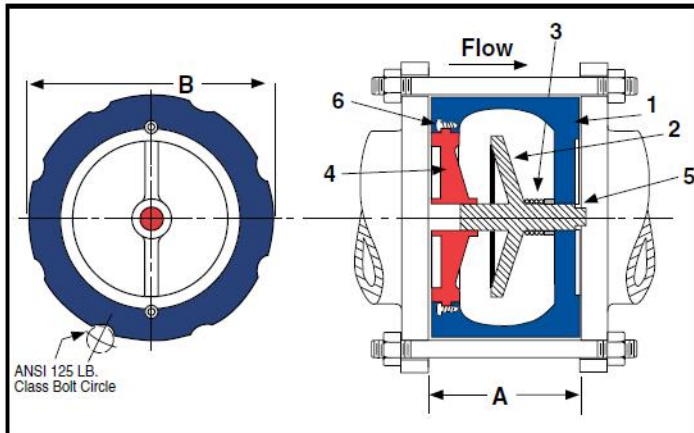
Cast Iron - Wafer

Type CW125ISC - Cast Iron Flat Face



Operating Pressures and Temperatures

Service	Size	psl	Temp.
Liquid	2" - 12"	200	180°F



Sure Flow Wafer Check Valves are designed to close before the pump stops completely. This prevents flow reversal which eliminates water hammer and system surges associated with valve closure.

- Quiet Operation
- Guided Discs
- Vertical or Horizontal Installation
- Sizes 2" thru 12"

Service Applications

- Municipal Water Systems
- Industrial Class HVAC - Liquid Service
- Industrial Piping Systems
- Irrigation Systems

Construction

No	Name	Material
1	Cast Body	A126 Class B
2	Plug	A351 Gr. CF8M
3	Spring	Stainless Steel
4	Seat	A351 Gr. CF8M
5	Bushing	Stainless Steel
6	Screw	Stainless Steel

Dimensional Data

Size	Model	A	B	CV	Shipping Weight (lbs)
2	0200CW125ISC	2 5/8	4	40	7
2 1/2	0250CW125ISC	2 7/8	4 3/4	60	9
3	0300CW125ISC	3 1/8	5 1/4	85	15
4	0400CW125ISC	4	6 3/4	150	25
5	0500CW125ISC	4 5/8	7 5/8	230	32
6	0600CW125ISC	5 1/2	8 5/8	340	56
8	0800CW125ISC	6 1/2	10 3/4	600	100
10	1000CW125ISC	8 1/4	13 1/8	900	140
12	1200CW125ISC*	11 1/4	19	1850	370*

*Special full lug pattern

Notes

Manufacturer reserves the right to modify dimensions, materials, or design. Contact factory for certification.

The Flow Coefficient (Cv) is the number of gallons per minute of water flowing through a given size restriction at a pressure drop of one psi. To obtain the Cv factor for a given size check valve refer to table above.

Ordering Information

Example: Include full description

Model # Type & Material

0400 - CW125ISC

4", Flat Face Wafer Check Valve Silent, Stainless Steel Plug

Consult factory for optional construction materials and installation instructions. Resilient seating of BUNA-N or VITON available for 4" size and larger.

We recommend that the valves be installed 7 to 10 pipe lengths away from the turbulence.

