

# Silent Check Valves

Cast Steel, Cast Stainless Steel - Flanged

Type CF150C Cast Steel, Type CF150SSC Stainless Steel



**Sure Flow Globe Style Check Valves** are designed to close before the pump stops completely. This prevents flow reversal which eliminates water hammer and system surges associated with valve closure.

- Quiet Operation
- Guided Discs
- Vertical or Horizontal Installation
- Sizes 2" thru 12"

## Service Applications

- Municipal Water Systems
- Industrial Class HVAC - Liquid Service
- Industrial Piping Systems
- Irrigation Systems

## Construction - Cast Steel

No	Name	Material
1	Body	SA216 Gr. WCB
2	Plug	Stainless Steel
3	Spring	Stainless Steel
4	Seat	Stainless Steel
5	Bushing	Stainless Steel
6	Screw	Stainless Steel

## Operating Pressures and Temperatures

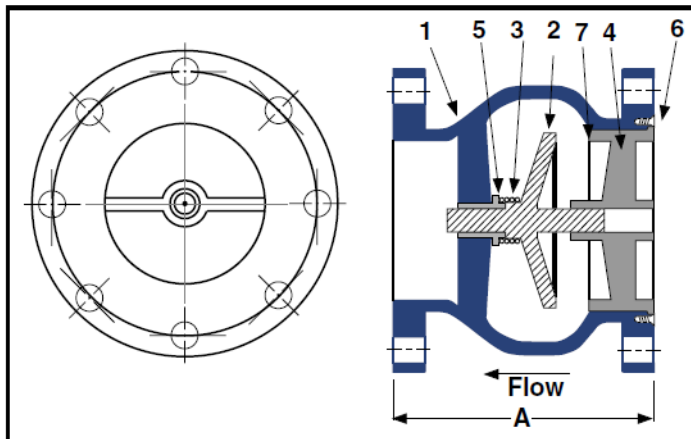
Material	Service	Size	psi	Temp.
Cast Steel	Liquid	2" - 12"	285	100°F
Stainless Steel	Liquid	2" - 12"	275	100°F

## Construction - Cast Stainless Steel

All ASTM Spec A351 Grade CF8M Stainless Steel.

## Dimensional Data

Size	Model	A	CV	Shipping Weight (lbs)
2	0200CF150	6 1/4	55	30
2 1/2	0250CF150	7	90	41
3	0300CF150	7 5/8	140	56
4	0400CF150	8 1/2	265	90
6	0600CF150	10 1/2	610	150
8	0800CF150	12	1000	260
10	1000CF150	14	1700	410
12	1200CF150	18	2400	720



## Ordering Information

Example: Include full description

Size Model  
(Prefix) #

0400 - CF150C

4", 150# Raised Face Cast Steel - Silent Check Valve

Consult factory for optional construction materials and installation instructions. Resilient seating of BUNA-N or VITON available for 4" size and larger.

*We recommend that the valves be installed 7 to 10 pipe lengths away from the turbulence.*

## Notes

Manufacturer reserves the right to modify dimensions, materials, or design. Contact factory for certification.

The Flow Coefficient (Cv) is the number of gallons per minute of water flowing through a given size restriction at a pressure drop of one psi. To obtain the Cv factor for a given size check valve refer to table above.

