

Basket Strainers

Cast Iron, Flanged

**ASME Section VIII, Div 1,
Current Edition:
U and UM CODE STAMP
Available**

Type BF125 Cast Iron & BFC125 with Quick Release Cover, 125# ANSI Flanges



Features

Sure Flow 125# ANSI Flanged basket strainers in Cast Iron are available with bolted or quick release clamped cover. Clamp cover units (Model BFC) are ideally suited for applications where frequent clean-out of the basket is expected. Having a spare, clean basket on hand will greatly reduce the cleaning time, and differential pressure gauges, with alarms, can be supplied to get the maximum on-stream time between cleaning cycles.

Construction

Cast Iron - Body & Cover, ASTM A126, Class B
Baskets are Stainless Steel

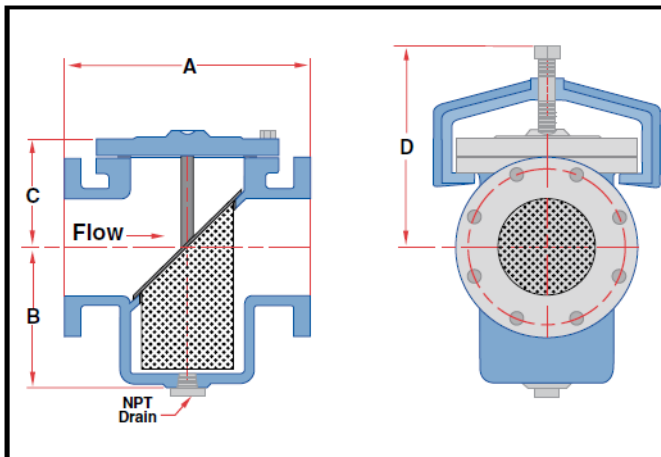
Standard Screens

Size	Std.	Opening
2" - 3"	3/64" perf	0.045"
4" - 20"	1/8" perf	0.125"

Operating Pressures and Temperatures

Type	Size	PSI @ Temp WOG	
BF125	2" - 20"	150	150°F
BFC125	2" - 20"	75	150°F

Dimensional Data



Size		A	B	C	D	Blow Off NPT	Clearance For Bskt Removal	Shipping Weight (lbs)
Inches	Prefix							
2	0200	8 1/8	5	3 3/4	7 1/2	3/4	5 3/8	34
2 1/2	0250	8 1/4	5 3/8	4 5/16	8	3/4	6 5/16	43
3	0300	9 7/8	6 1/2	4	8	3/4	8	60
4	0400	11 1/2	8	6 9/16	10 1/2	1	9 5/16	120
5	0500	13 1/8	8	7	11 1/2	1	10 1/4	140
6	0600	14 7/8	8 5/8	6 5/8	12	1	11 1/8	164
8	0800	18 11/16	11 3/4	9	15	1	15 9/16	330
10	1000	20 1/8	13 3/4	10 1/2	15	1	18	470
12	1200	26 1/4	16 3/8	13 1/8	17 1/2	1	23 1/4	820
14	1400	30 1/4	22 3/8	14 1/2	—	2	26 1/4	1300
16	1600	33 1/8	23 5/8	15 9/16	—	2	28 1/8	1600
18	1800	38 3/8	28 3/8	16	—	2	33 3/8	2260
20	2000	41 1/2	32 3/8	17 3/8	—	2	37 3/8	2980

Ordering Information

Example: Include full description

Size (Prefix) Model Number *Screen Opening
0400 - BF125 - 125

4" FLGD, 125# ANSI Flanges, Basket Strainer, Cast Iron, with 1/8" Perf. Screen & Quick Release Cover

Notes

Manufacturer reserves the right to modify dimensions, materials, or design. Contact factory for certification.

*Must specify if for steam service.

