

6" GENERAL SERVICE GAUGE BRASS BOURDON TUBE AND SOCKET MODEL 60RL4

STANDARD FEATURES

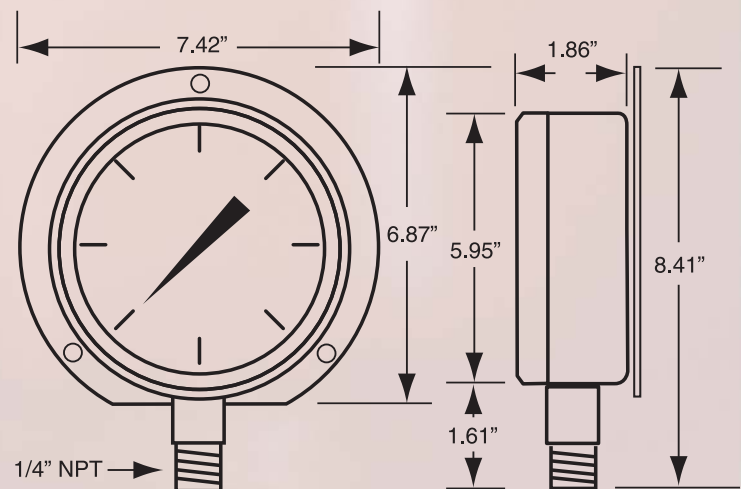
- 6" dial size
- Brass bourdon tube and socket
- Brass movement
- Heavy duty black steel case with back flange
- 1% full scale accuracy per ASME B40.1 Grade 1A
- 1/4" NPT bottom connection
- Plastic lens
- White scale with black graduations and numerals
- Suitable for water, air, oil, gas or any medium not corrosive to copper alloys
- Siphon required for steam applications



MODEL 60RL4 ▶

PRESSURE/VACUUM RANGES

RANGE	CODE	MAJOR INC.	MINOR INC.
30" /0 VAC	P2	5" HG	2" HG
30" -0-30	P4	10" HG/5 PSI	1" HG/1 PSI
30" -0-60	P5	10" HG/10 PSI	2" HG/1 PSI
30" -0-100	P6	10" HG/10 PSI	2" HG/1 PSI
30" -0-150	P7	10" HG/25 PSI	2" HG/2.5 PSI
0-15 PSI	PA	2 PSI	0.1 PSI
0-30 PSI	PB	5 PSI	1 PSI
0-60 PSI	PC	10 PSI	1 PSI
0-100 PSI	PD	10 PSI	1 PSI
0-160 PSI	PE	20 PSI	2 PSI
0-200 PSI	PF	20 PSI	2 PSI
0-300 PSI	PG	50 PSI	5 PSI
0-600 PSI	PI	100 PSI	10 PSI



HOW TO ORDER - PLEASE SPECIFY THE FOLLOWING:

MODEL #	RANGE
60RL4	2 digit code from table