

# 4 1/2" GENERAL SERVICE GAUGE BRASS BOURDON TUBE AND SOCKET MODEL 45RL4

## STANDARD FEATURES

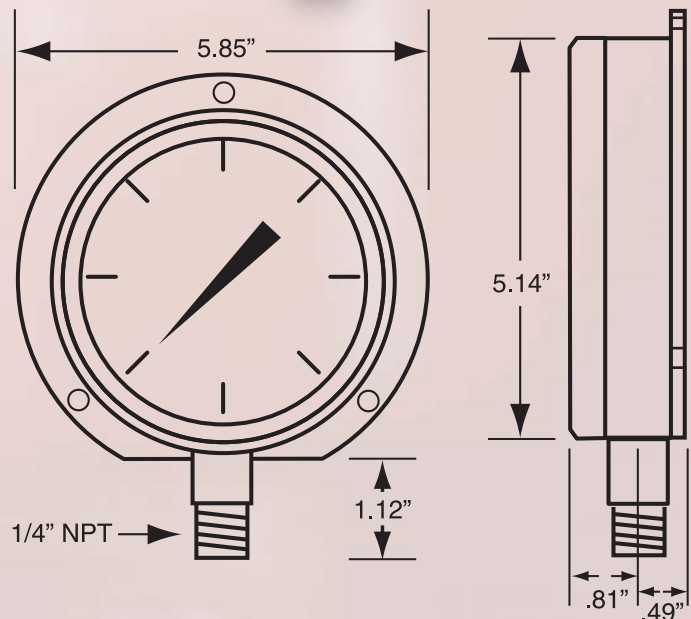
- 4 1/2" dial size
- Brass bourdon tube and socket
- Brass movement
- Glass reinforced plastic case
- 1% full scale accuracy per ASME B40.1 Grade 1A
- 1/4" NPT bottom connection
- Glass lens
- White scale with black graduations and numerals
- Suitable for water, air, oil, gas or any medium not corrosive to copper alloys
- Siphon required for steam applications



**MODEL 45RL4** ▶

## STANDARD RANGES

RANGE	CODE	FIGURES	GRADUATIONS
30" 0 VAC	P2	5" HG	1" HG
30" -0-15	P3	10" HG/5 PSI	2" HG/1 PSI
30" -0-30	P4	10" HG/5 PSI	2" HG/1 PSI
30" -0-60	P5	10" HG/10 PSI	1" HG/1 PSI
30" -0-100	P6	30" HG/20 PSI	5" HG/2 PSI
30" -0-150	P7	30" HG/20 PSI	5" HG/2 PSI
30" -0-300	P8	30" HG/50 PSI	0" HG/10 PSI
0-15 PSI	PA	2 PSI	0.1 PSI
0-30 PSI	PB	5 PSI	1 PSI
0-60 PSI	PC	10 PSI	1 PSI
0-100 PSI	PD	10 PSI	1 PSI
0-160 PSI	PE	20 PSI	2 PSI
0-200 PSI	PF	20 PSI	2 PSI
0-300 PSI	PG	50 PSI	5 PSI
0-400 PSI	PH	50 PSI	5 PSI
0-600 PSI	PI	50 PSI	10 PSI
0-600 PSI	PI	50 PSI	10 PSI
0-1000 PSI	PK	100 PSI	10 PSI



55

### HOW TO ORDER - PLEASE SPECIFY THE FOLLOWING:

MODEL #	RANGE
<b>45RL4</b>	<b>2 digit code from table</b>